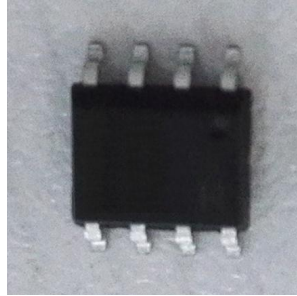


B030, Rev. -

1. Finish Goods PKG photo



2. Packing method

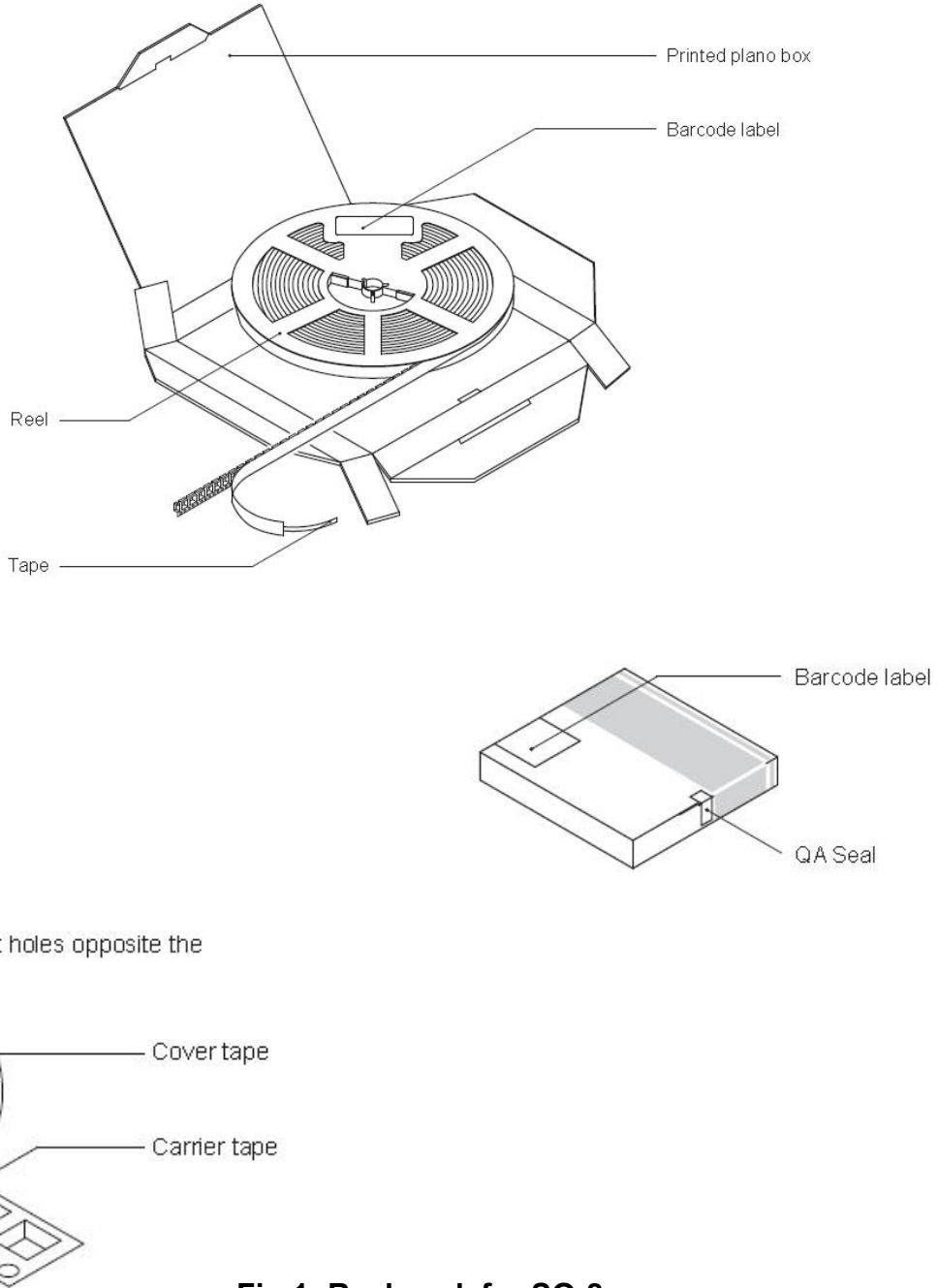


Fig.1- Reel pack for SO-8

Table 1. Packing information

Package version	Reel dimensions $\phi \times H$ (mm)	Per reel (pcs)	Reels per box	Inner box dimensions LxWxH (mm)	Inner box weight (Kg)	Outer box weight (Kg)
SO-8	$\phi 330 \times 17.6$	2500	1	336*336*48	0.78	6.5

3. Product orientation

Standard product orientation SO-8



→
direction of feed

Fig 2. Product orientation in carrier tape

4. Carrier tape dimensions (In mm)

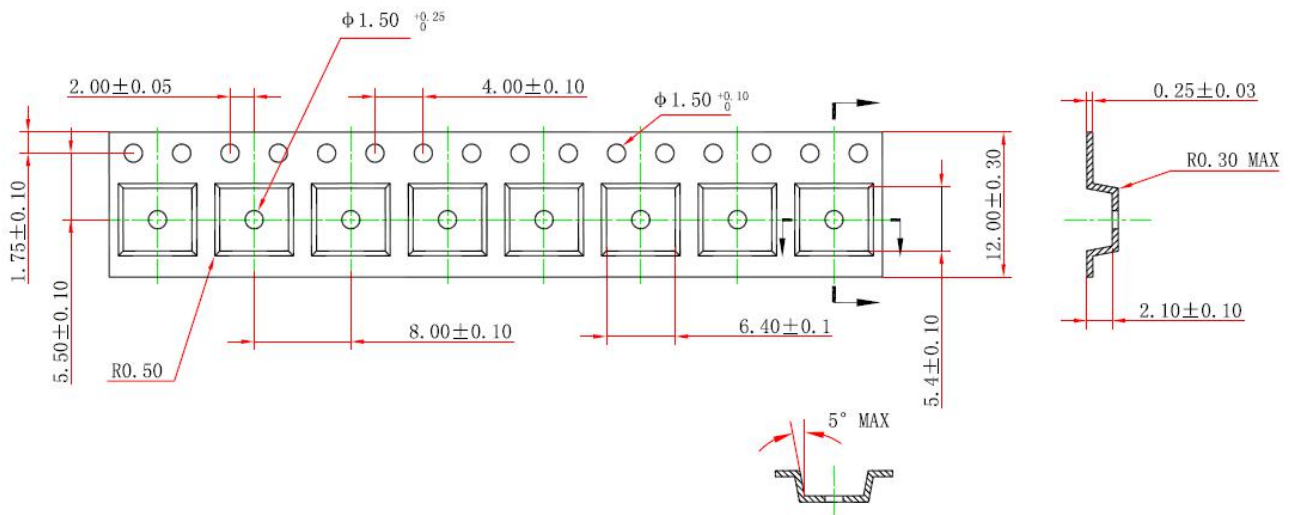


Fig 3. Carrier tape dimensions

5. Reel dimensions (In mm)

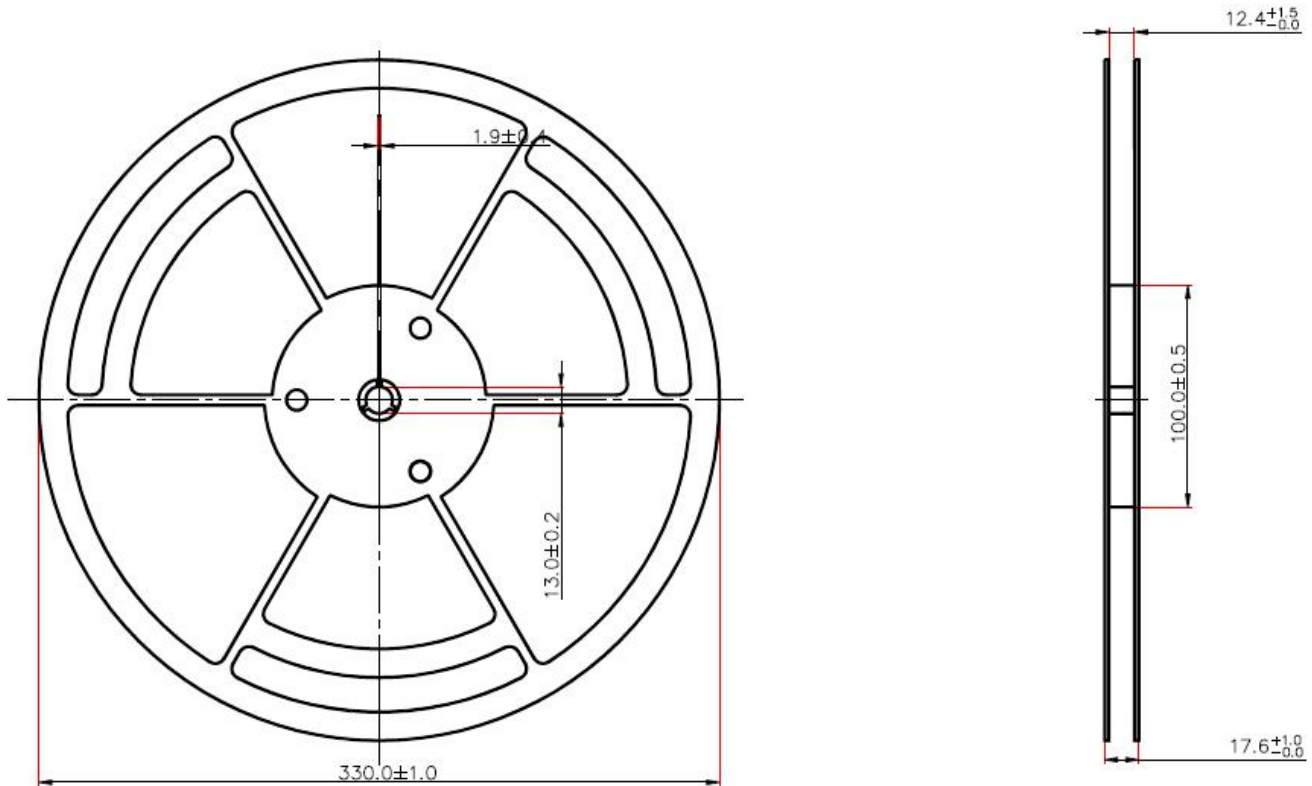


Fig 4. Reel dimensions